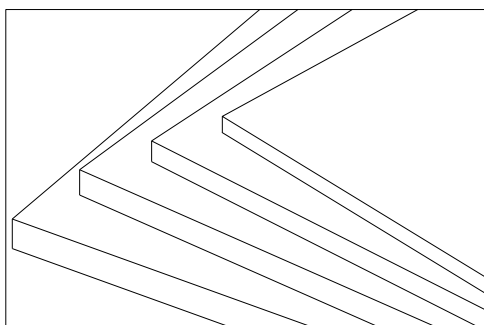


Brett Martin Ltd. 24 Roughfort Road, Mallusk, Co. Antrim, N.Ireland, BT36 4RB
 Technical Service Department: Phone +44 (0) 28 9084 9999 Fax: +44 (0) 28 9083 4234



Foamalux Xtra

Rigid Foam PVC

FOAMALUX Xtra is an extruded, closed cell, unplasticised PVC foam sheet. Foamalux Xtra has been developed to utilize re-cycled PVC within a high quality sheet product, ideal for use in a wide variety of applications. Foamalux Xtra consists of a core of re-cycled material with co-extruded smooth surfaces of virgin material. The re-cycled core is in excess of 80% of the total finished sheet. It is currently available as a 10 mm thick sheet. The extruded sheet has a smooth semi matt surface finish.

Service Temperature

FOAMALUX Xtra can be installed in a diversity of applications, with varying temperatures. The material's mechanical performance is known to remain stable in prolonged service in temperatures ranging from -20 to +60 °C.

Installation

Applications of FOAMALUX Xtra must make adequate allowance for thermal movement. Adequate clearance must be allowed if holes are drilled for fixing and in rebates of support frames.

Colours:	White
-----------------	-------

Standard sheet sizes:	Thickness
White 3050x 1560 mm	10 mm

*Non-standard sizes are available subject to minimum order quantities.

Standard sheet sizes:	Tolerance:
Width:	-0, +3 mm
Length:	-0, +10 mm
Thickness:	+/- 5% mm

Sheet Weight: 6.0 kg/m² (10 mm)

Fire Performance:

The fire performance of FOAMALUX Xtra has been independently tested and the following classification obtained:

UK BS 476: Part 7 Class 1